

DATASHEET

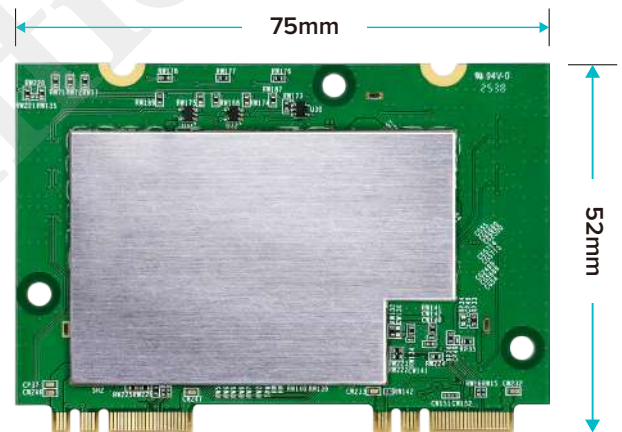
Wi-Fi 7 M.2 AE Key Module AW7995-AE1



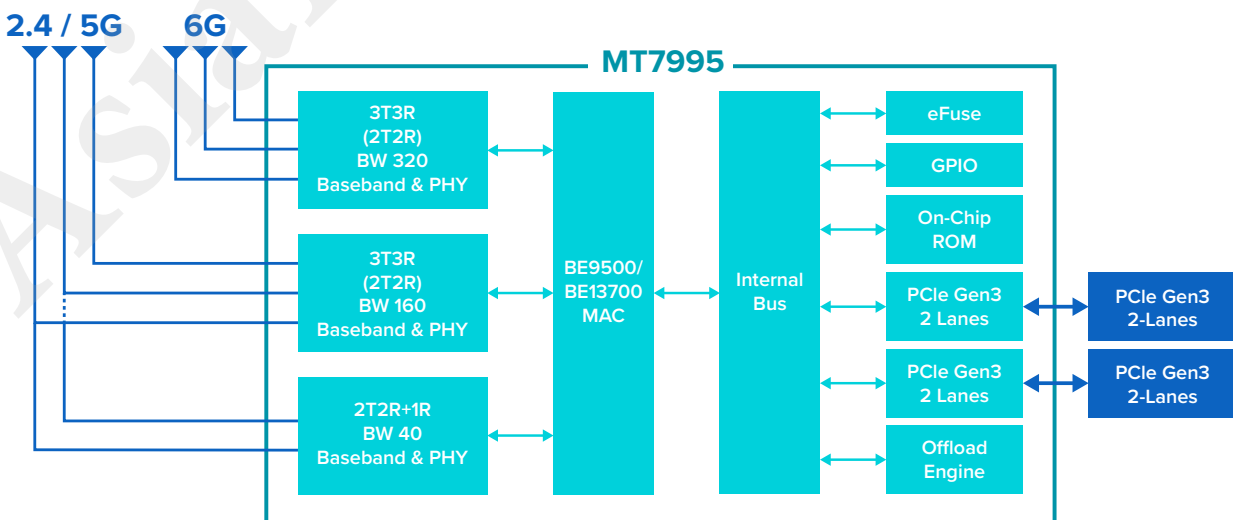
Description

AW7995-AE1 AP Router Network Interface Card (NIC) supports Wi-Fi 7 technology and features IEEE 802.11a, b, g, n, ac, ax, be compliant, 2.4 GHz 2x2, 5 GHz 3x3, and 6 GHz 3x3 3ss BE13700 Wi-Fi subsystem. It offers feature-rich wireless connectivity at high standards and delivers reliable, cost-effective throughput from an extended distance.

The optimized Wi-Fi baseband algorithms provide super performance. The intelligent MAC design deploys a highly efficient offload engine and hardware data processing accelerators which fully offload Wi-Fi tasks of the host processor. AW7995-AE1 is designed to support standard-based features in the areas of security, quality of service, and international regulations, giving end users the greatest performance at any time and in any circumstance.



Function Diagram



For more detailed information, please contact our sales team: sales@asiarf.com / +886 2 2940 7880

