

DATASHEET

Wi-Fi HaLow Portable Gateway

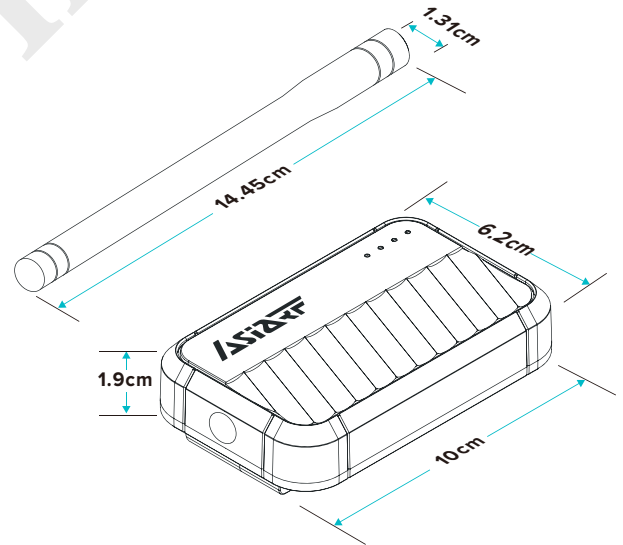
ARFHL-UM-MS01

MESH Enabled



Description

The ARFHL-UM-MS01 stands as a cutting-edge dual-band Wi-Fi HaLow MESH portable gateway, setting a new standard for connectivity. Its remarkable features include effortless plug-and-play functionality, zero-configuration connectivity, outstanding energy efficiency, and the added convenience of USB power bank support. This portable gateway is meticulously designed to deliver not only seamless but also long-range mobile networking, extending its reach beyond 1 km. This makes it an ideal solution for on-the-go applications, where reliable and efficient connectivity is paramount. Whether in remote locations or dynamic environments, the ARFHL-UM-MS01 ensures a consistent and high-performance connectivity experience, addressing the evolving needs of modern and mobile-centric applications.



Features

- **Plug-and-Play, Zero Configuration:** No setup required, offering immediate access to wireless internet.
- **Energy Efficiency:** Wi-Fi HaLow ensures low power consumption, long-range connectivity, excellent signal penetration, and energy efficiency, all while reducing costs and environmental impact.
- **USB Power Bank Support:** A wearable, convenient solution. A standard power bank can keep the ARFHL-UM-MS01 operational for up to 8 hours.
- **Seamless On-the-Go Connectivity:** Lightweight, convenient wearable devices, combined with Wi-Fi HaLow's long-range connectivity, provide wireless networking anytime, anywhere.
- **Long-Range Solution:** Offers connectivity over distances exceeding 1 km, surpassing the limitations of traditional Wi-Fi protocols.

For more detailed information, please contact our sales team: sales@asiarf.com / +886 2 2940 7880

