

Wi-Fi HaLow Outdoor Gateway

ARFHL-OD-MS01

MESH Enabled

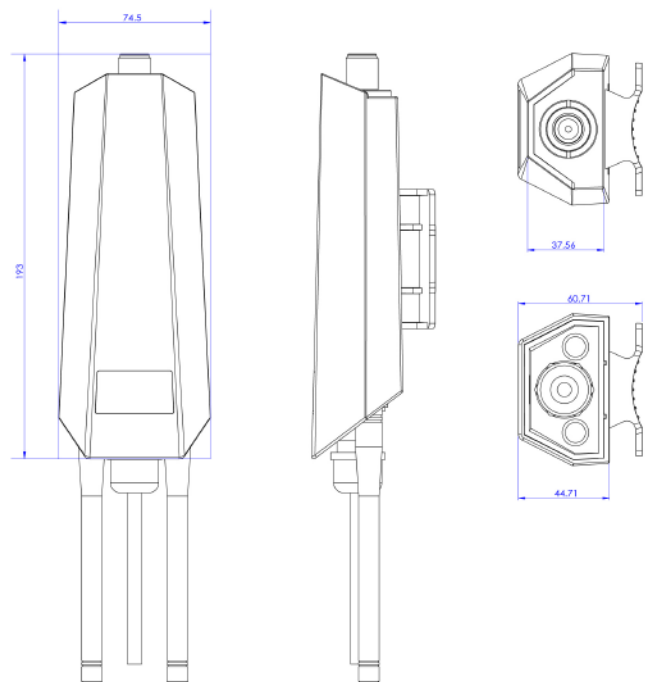


Description

ARFHL-OD-MS01 Outdoor Gateway is designed to fulfill field long distance 20 Mbps data requirements by Wi-Fi HaLow technology.

Features

- Wi-Fi 4 and Wi-Fi HaLow are combined in one IoT Gateway
- Mediatek MT7628 chipset 580MHz MIPS 24KEC CPU core
- Wi-Fi HaLow uses Morse Micro chipset
- IP65-rated for durable dust and water resistance in any environment
- 10/100M FE Ethernet
- Powered by PoE(802.3af)
- Support boot from NOR Flash
- 2T2R Wi-Fi 4 PHY Data Rate up to 300 Mbps
- Security supports 64/128-bits WEP, TKIP, WPA, WPA2, AES, WPS
- Multi-modes: Gateway, AP/Client



For more detailed information, please contact our sales team: sales@asiarf.com / +886 2 2940 7880

