

DATASHEET

Wi-Fi HaLow Antenna ANTSM90003004001



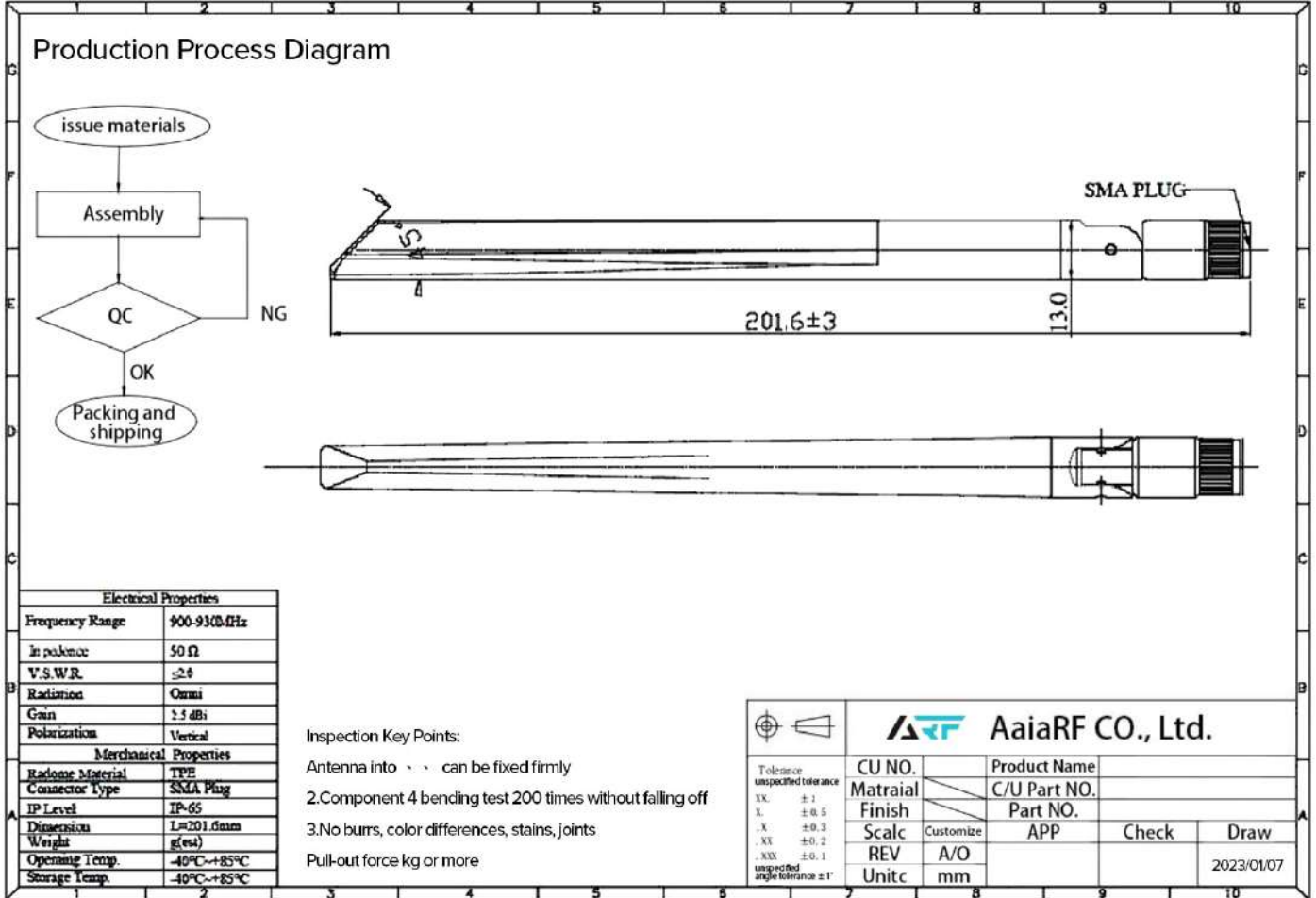
Electrical Data

Frequency	900-930MHz
Gain	2.5dBi
VSWR	2.0 MAX
Polarization	Vertical
Nominal Impedance	50Ω
Admitted power radiation	1W
Pattern of Radiation	Toroidal
Radiation	Omni
Connector	SMA PLUG

Mechanical Properties

Operation temperature range	-40°C~+85°C
Storage temperature range	-40°C~+85°C
Color	Black
IP Level	IP-65
Dimension	L=201.6mm
Weight	0.03 kg

Organizational Chart



V.S.W.R Report

