

DATASHEET

Wi-Fi Dipole Antenna ANTSDUAL02F01000



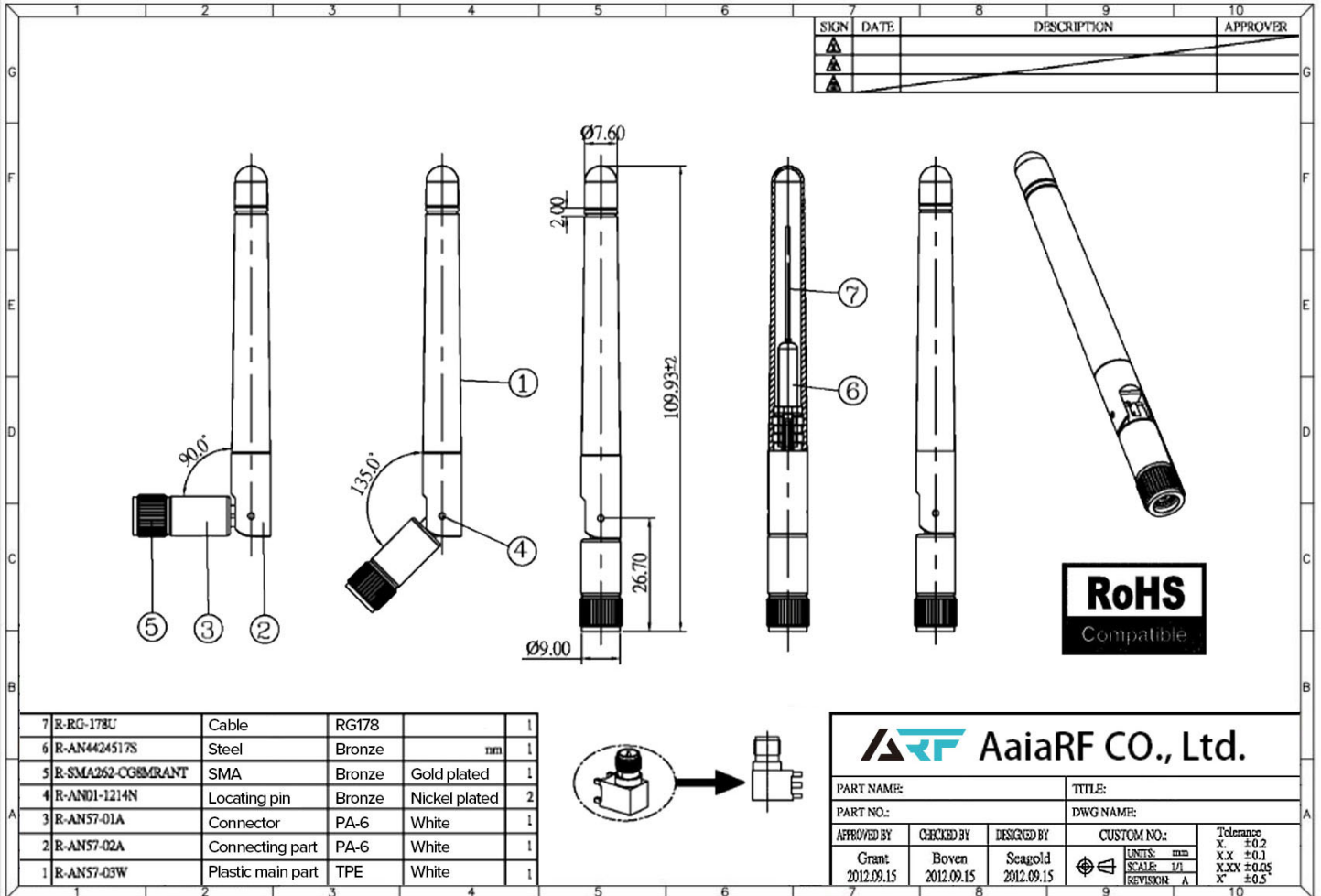
Electrical Data

Frequency	2.4 – 2.5GHz / 5.1 – 5.8GHz
Gain	2 / 3 dBi
VSWR	$V \leq 2.0$
Polarization	Vertical
Impedance	50Ω
3dB Beam Width	30 degrees
Radiation	Omni-directional
Power output	2 W

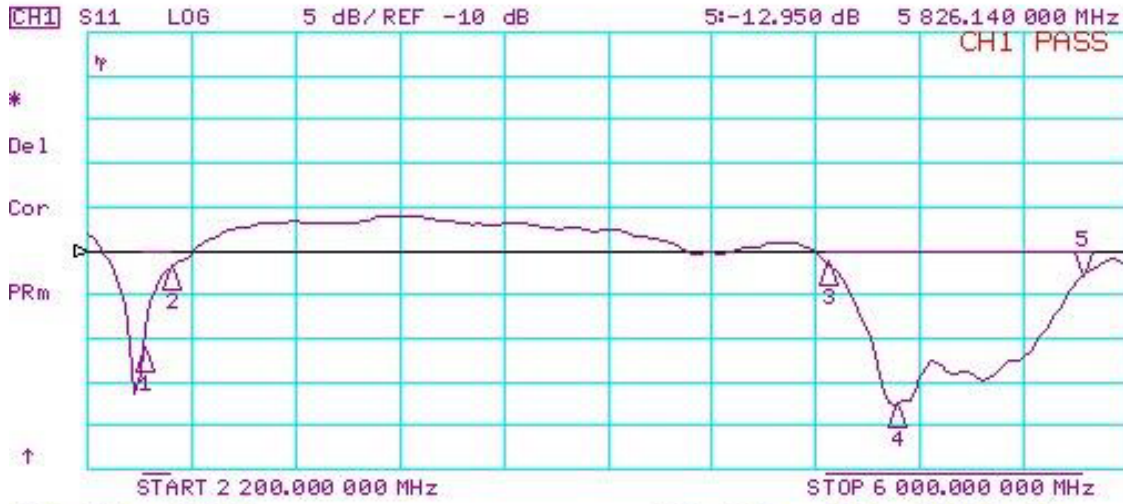
Mechanical & Environmental

Whip	PC/PBT/TPEE
Dimension Phi x L	9.3 x 108mm (SMA included)
Weight	14 g
Connector	SMA Male RP
Temperature	-20 to+80°C
Humidity	40% – 60% RH

Mechanical & Environmental



VWSR

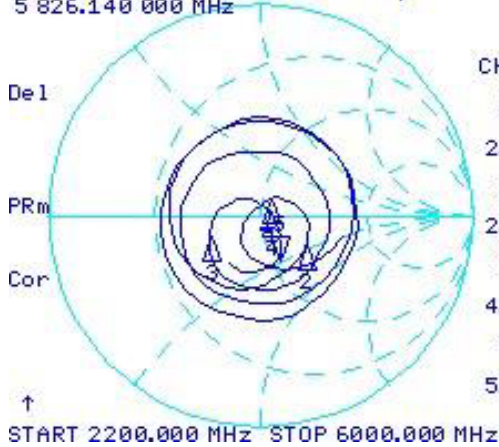


CH1 Markers

1:	-21.314 dB	2.40000 GHz
2:	-11.914 dB	2.50000 GHz
3:	-11.467 dB	4.90000 GHz
4:	-27.685 dB	5.15000 GHz
5:	-	-

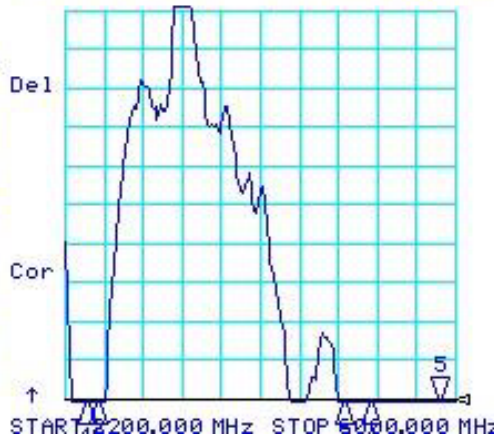
CH2 S11 1 U FS
 5: 53.266 Ω -23.627 Ω 1.1562 pF
 5 826.140 000 MHz

CH4 SWR 100 m / REF 1.92
 S11 5: 1.5815 5 826.140 000 MHz



CH2 Markers

1:	53.900 Ω	8.1230 Ω	2.40000 GHz
2:	71.398 Ω	-22.758 Ω	2.50000 GHz
3:	29.861 Ω	-7.2354 Ω	4.90000 GHz
4:	54.117 Ω	0.9883 Ω	5.15000 GHz
5:	-	-	-



CH4 Markers

1:	1.1980	2.40000 GHz
2:	1.6803	2.50000 GHz
3:	1.7290	4.90000 GHz
4:	1.0861	5.15000 GHz
5:	-	-

