

DATASHEET

GPS Antenna **ANTS157528S01001**



Specifications | GENERAL

MECHANICAL SPECIFICATIONS	
Operation Temperature	-40°C to + 80°C
Storage Temperature	-40°C to + 80°C

ELECTRICAL	
Operation Voltage	Min: 2.7 V Typ.: 3.0 V Max: 5.0V
Current Consumption	Typ.: 10 mA Max: 15mA @ 3.0V

MECHANICAL	
Mounting	Magnet mount.
Cable Pulling Off Force	3Kg
Water Proof	IP67
Housing Material	ABS-758

Specifications | ANTENNA

Frequency Range	1575.42 ± 1.023 MHz. 1602±8 MHz
Gain	1575.42MHz:-0.5 dBi Typ. @zenith(28 mm x 28mm GND) 1602MHz:+2.5dBiTyp. @zenith(28mm x 28mm GND)
Polarization	RHCP



Specifications | LNA

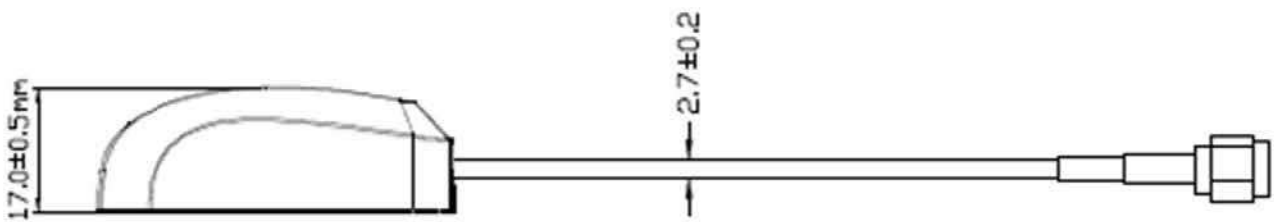
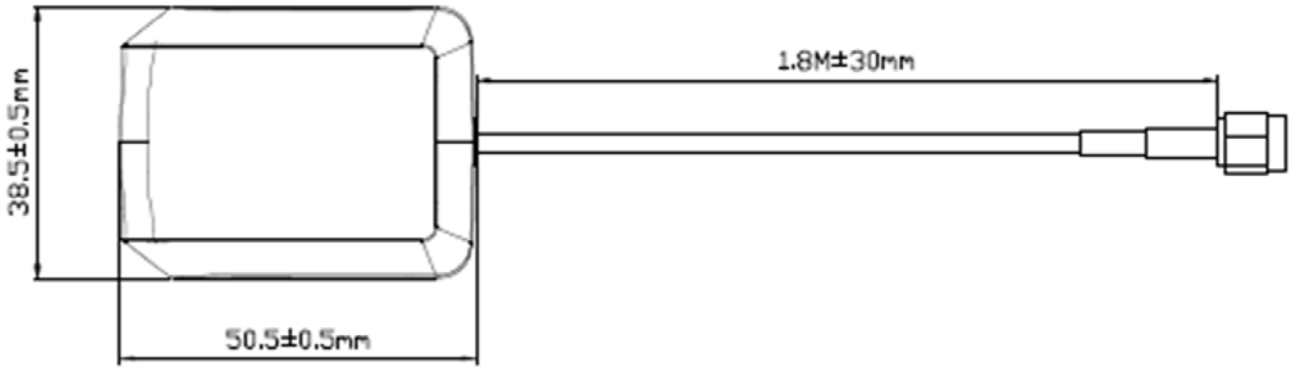
Frequency Range	1575.42 ± 1.023 MHz. 1602±8 MHz
Gain	28±3dB (+ 25 °C ± 5°C)
Noise Figure	1.5 dB Typ. (+ 25 °C ± 5°C)
Output Impedance	50Ω
ESD	2.5KV(HBM)

TOTAL SPECIFICATIONS | Through Antenna, LNA, Cable and Connector

RF Cable	RG174 ,ψ2.7 ± 0.2mm Cable Length: 1.8M ± 30mm
RF Connector	SMA(M)
Frequency Range	1575.42±1.023 MHz 1602±8 MHz
Gain	at Zenith : 1575.42MHz: 27.5± 3dBic – (cable loss) Note:1 1602MHz: 30.5± 3dBic – (cable loss) Note:1
VSWR	50Ω
Output Impedance	2.0 Max

Note 1: Cable Loss = Max.(-1.4dB / m)

OUTLINE



Unit:mm