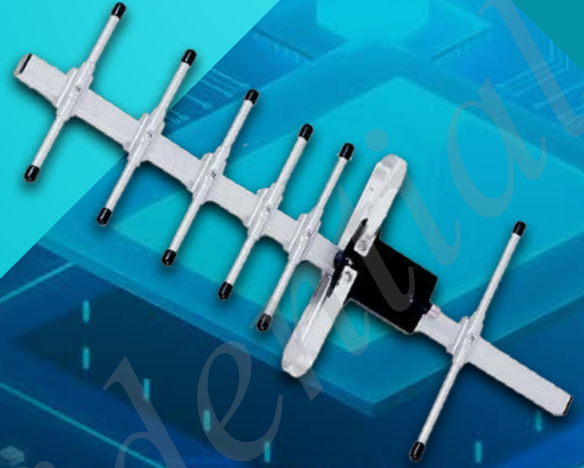


DATASHEET

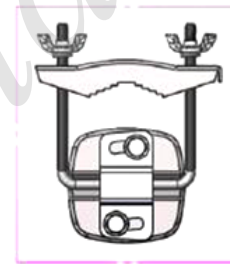
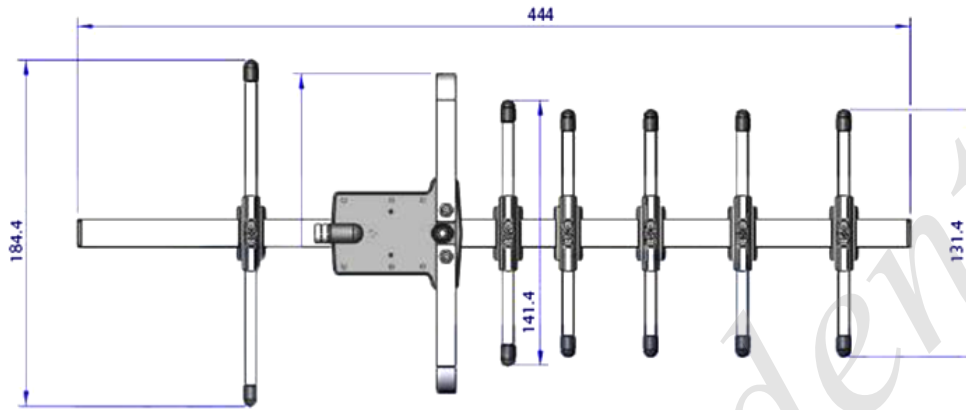
Wi-Fi HaLow Yagi Antenna ANTYM90009YAH001



Electrical Data

Frequency	902-928MHz
Gain	9dBi
VSWR	<1.5:1
Polarization	Linear (H) or (V)
Impedance	50Ω
Connector	FME, Mini-UHF, TNC
Temperature	-20°C ~ +60°C
Color	Anode
Weight	0.6 Kg
Cable	Optional
Material	Aluminum
Mounting	YAGI-Holder
Max power	60W

Diagram



Accessory kit
(Mounting bracket
+U Type fixthre)

FME FEMALE

CABLE RG58/U LENGTH 50cm

N FEMALE

wire group ratio 1:2

* Power consumption maximum is 9.1W, average is 7W. Main board Power Supply design please provide 3.3V 3.5A, minimum 3.3V 3A.